



**MVP 030-3 DC,
diaphragm pump,
G 1/8"**



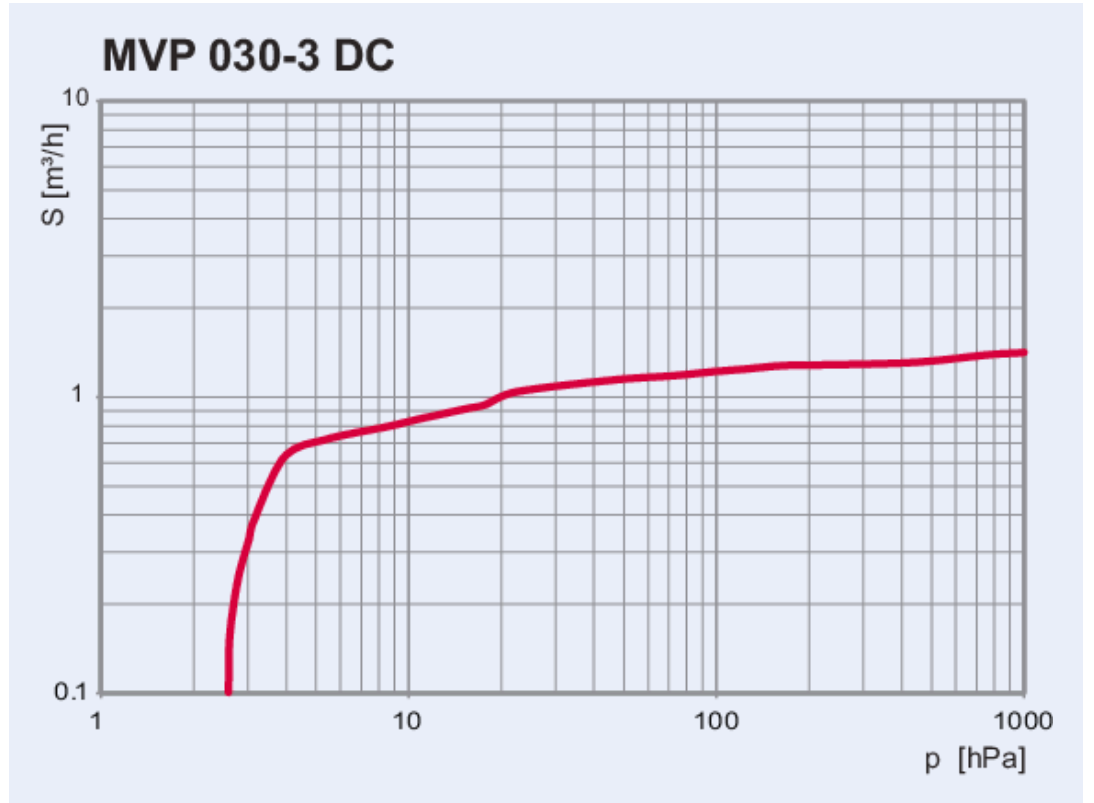


Illustration only

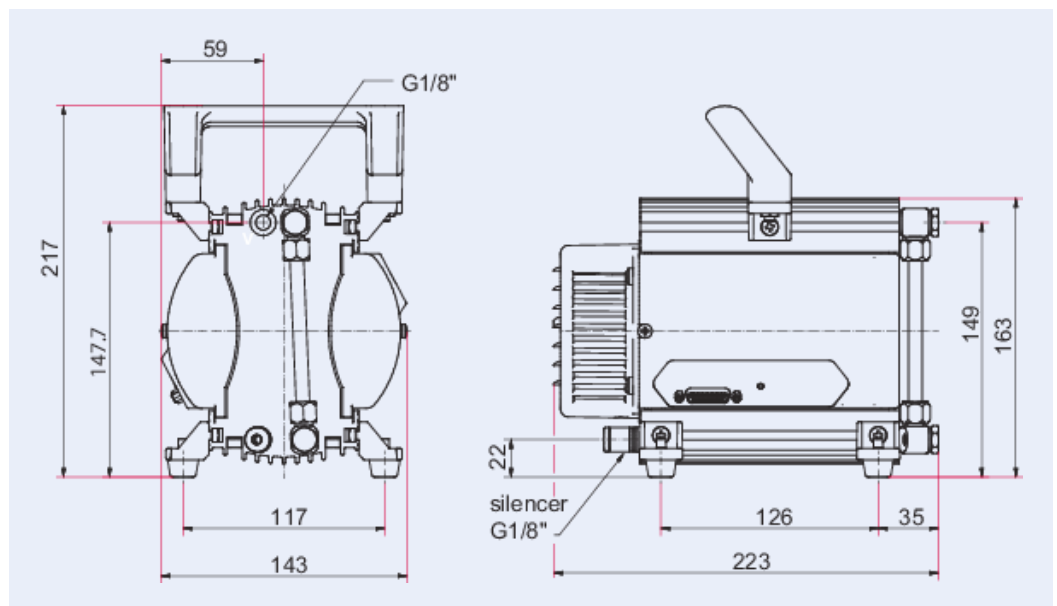
MVP 030-3 DC, diaphragm pump, G 1/8"

- Diaphragm pump with a pumping speed of up to 1.8 m³/h
- No hydrocarbons: Completely dry & oil-free diaphragm pump
- Low noise level, minimal vibrations and compact design, ideal also for use in laboratories
- Low operating costs thanks to the highest quality, short maintenance times and long maintenance intervals
- Industry 4.0 compatible: Operation with other intelligent products, such as turbopumps via RS-485

Characteristics



Dimensions



Technical Data	MVP 030-3 DC, diaphragm pump, G 1/8"
Pumping speed	1.8 m ³ /h
Ultimate pressure	2 · 10 ⁰ hPa 1.5 · 10 ⁰ Torr 2 · 10 ⁰ mbar
Ultimate pressure with gas ballast	3 · 10 ⁰ hPa 2.25 · 10 ⁰ Torr 3 · 10 ⁰ mbar
Integral leak rate	1 · 10 ⁻² Pa m ³ /s 7.5 · 10 ⁻² Torr l/s 1 · 10 ⁻¹ mbar l/s
Intake pressure max.	1,100 hPa 825 Torr 1,100 mbar
Exhaust pressure, max.	1,100 hPa 825 Torr 1,100 mbar
Connection flange (in)	G 1/8"
Connection flange (out)	G 1/8" with silencer
I/O interfaces	RS-485
Input voltage(s)	24 V DC (±10 %)
Input voltage: tolerance	±10 %
Motor type	DC motor
Current, max.	7 A
Rotation speed	600 – 2400 rpm
Nominal rotation speed	1,800 rpm 1,800 min ⁻¹
Protection degree	IP20 Type 1
Certification	cTUVus certified according to UL / CSA 61010-1
Switch	No
Emission sound pressure level (EN ISO 2151)	45 dB(A)
Ambient temperature	10 – 40 °C
Temperature: Storage	-10 – 60 °C
Temperature: Shipping	-10 – 60 °C
Cooling method	Natural convection
Gas ballast	Available as an accessory
Operating altitude, max.	2,000 m

Order number	MVP 030-3 DC, diaphragm pump, G 1/8"
MVP 030-3 DC, diaphragm pump, G 1/8"	2000020707

Accessories	MVP 030-3 DC, diaphragm pump, G 1/8"
Sparepart-kit Interhead connection for MVP 020 / MVP 030	2000025276
Inspection set for MVP 020/030	2000005851
Housing cover for MVP 020/030 (parallel connection)	2000025247
Housing cover for MVP 020/030 (series connection)	2000025248



伯东企业（上海）有限公司
HAKUTO ENTERPRISES (SHANGHAI) LTD.
TEL: (86) 21-5046 3511

上海伯东 -- 您理想的真空合作伙伴！

伯东公司成立于 1953 年，外企上市企业，全球范围内有一千七百名员工，集团年营业额约为 100亿人民币。

伯东公司在国内主要城市：上海，北京，苏州，广州，深圳，成都及厦门设有营业据点。

上海伯东真空产品事业部已累计为超过 10,000 家企业提供真空服务

我们致力于追求高品质的服务，为您提供一流的服务及一流产品：

品质保障：国际知名品牌指定授权代理商，所有产品及部件保证 100% 原厂原装进口

现货交期快：部分产品有现货，下单立即发货（现货数量有限，实际情况请联系销售工程师）

卓越维修能力：伯东工程师拥有10年以上维修经验，且受国外专业培训，拥有完全的拆解，维修，校正能力。

完美服务质量：原装进口检测设备全方位寻找问题症结及全方面的性能测试，确保完美的服务质量



伯东企业（上海）有限公司 销售及售后服务中心

上海浦东新区新金桥路1888号36号楼7楼702室

电话：+86-21-5046-3511 / 139-1883-7267

传真：+86-21-5046-1490

官网：<http://www.hakuto-vacuum.cn>

