

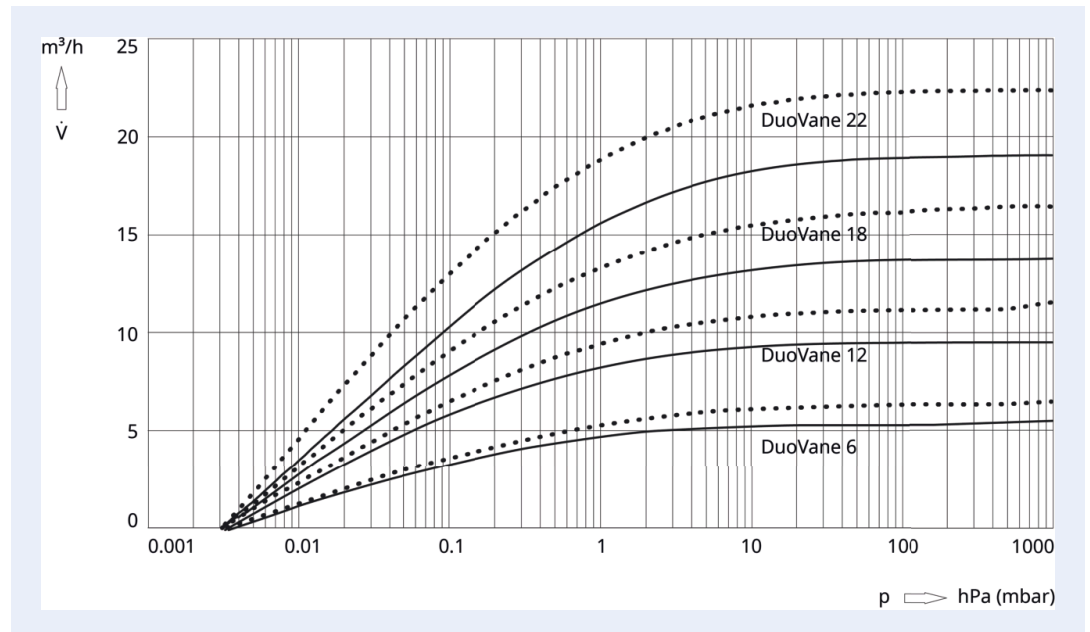


Illustration only

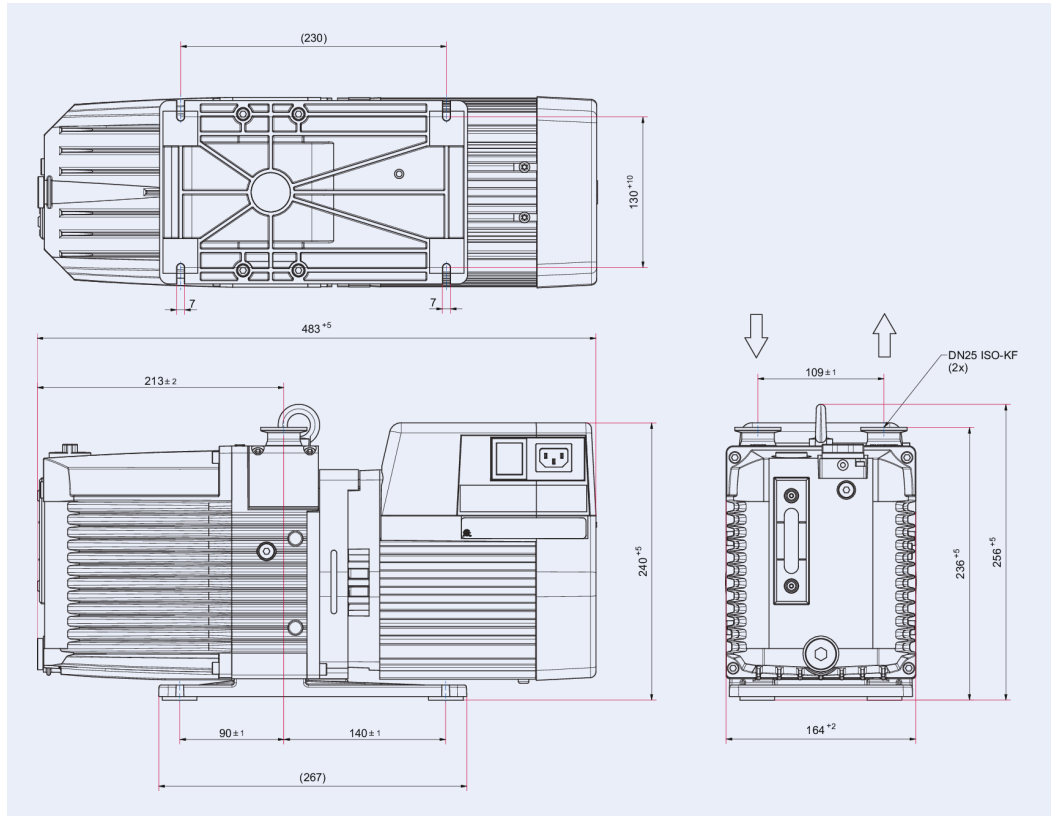
DuoVane 22 C, 1-phase motor, 100-115 V / 200-230 V, 50/60 Hz, Bimetal

- Dual-stage, high-performance rotary vane pump with a pumping speed up to 22 m³/h
- Corrosive gas version, with 1-phase motor, rated for 115 V
- With excessive temperature cutout (bimetal) for optimal motor protection
- Integrated gas ballast and HV safety valve
- For all low and medium vacuum applications
- Special feature: Various motor voltages for worldwide employment

Characteristics



Dimensions



Technical Data	DuoVane 22 C, 1-phase motor, 100-115 V / 200-230 V, 50/60 Hz, Bimetal
Gas ballast	Yes
Operating fluid	F4
Cooling method	Air (Forced convection)
Motor type	1-phase motor
Motor for region	Japan
Vacuum range min	$1 \cdot 10^{-2}$ hPa
Vacuum range max	$3 \cdot 10^{-3}$ hPa
Ambient temperature	12 – 40 °C
Temperature: Storage, max	55 °C
Temperature: Storage, min	-25 °C
Certification	CE
Input voltage(s)	100 – 115 / 200 – 230 V AC, 50 Hz 100 – 115 / 200 – 230 V AC ($\pm 10\%$), 60 Hz
Ultimate pressure with gas ballast	$1 \cdot 10^{-2}$ hPa $7.5 \cdot 10^{-3}$ Torr $1 \cdot 10^{-2}$ mbar
Leakage rate safety valve	$1 \cdot 10^{-5}$ Pa m ³ /s $7.5 \cdot 10^{-5}$ Torr l/s $1 \cdot 10^{-4}$ mbar l/s
Continuous gas input temperature, max.	40 °C 104 °F 313.2 K
Exhaust pressure, max.	1,500 hPa 1,125 Torr 1,500 mbar
Operating altitude, max.	2,000 m
Continuous inlet pressure, max.	50 hPa 37.5 Torr 50 mbar
Rotation speed at 60 Hz	1,800 rpm $1,800 \text{ min}^{-1}$
Rotation speed at 50 Hz	1,500 rpm $1,500 \text{ min}^{-1}$
Pumping speed at 60 Hz	22.5 m ³ /h 13.24 cfm 375.01 l/min
Pumping speed at 50 Hz	19.5 m ³ /h 11.4777 cfm 325.0065 l/min
Switch	Yes
Exhaust pressure, max.	1,500 hPa
Motor protection	Thermal winding protection
Mains cable	No, C14-plug inside the terminal box
Rated power 50 Hz	0.55 kW
Rated power 60 Hz	0.65 kW
Final pressure with gas ballast	$1 \cdot 10^{-2}$ hPa
Dimensions (L x W x H)	483 x 166 x 239 mm
Continuous inlet pressure, max.	50 hPa
Number of pumping stages	Two stage
Connection flange	DN 25 ISO-KF / DN 25 ISO-KF

Rotation speed at 60 Hz	1,800 rpm
Rotation speed at 50 Hz	1,500 rpm
Operating fluid amount	1.3 l
Exhaust pressure, min.	Atmospheric pressure
Weight	32 kg
Pumping speed at 60 Hz	22.5 m ³ /h
Pumping speed at 50 Hz	19.5 m ³ /h
Connection flange (in)	DN 25 ISO-KF
Connection flange (out)	DN 25 ISO-KF

Order number	DuoVane 22 C, 1-phase motor, 100-115 V / 200-230 V, 50/60 Hz, Bimetal
DuoVane 22 C, 1-phase motor, 100-115 V / 200-230 V, 50/60 Hz, Bimetal	2000310692

Accessories	DuoVane 22 C, 1-phase motor, 100-115 V / 200-230 V, 50/60 Hz, Bimetal
Maintenance kit 3 for DuoVane 20	2000116198
Seal kit for DuoVane 20	2000116184
Maintenance kit 3 for DuoVane 22 C	
Diaphragm HV valve for DuoVane 5 - 20	2000116202
Rotary shaft seal for DuoVane 5 - 20	2000116203
Sight glass for DuoVane 5 - 20	2000116210
Vane DuoVane 22 C	
Oil drain plug for DuoVane 6 - 22	
Gas ballast orifice for DuoVane 12 C - 22 C	



伯东企业（上海）有限公司
HAKUTO ENTERPRISES (SHANGHAI) LTD.
TEL: (86) 21-5046 3511

上海伯东 -- 您理想的真空合作伙伴！

伯东公司成立于 1953 年，外企上市企业，全球范围内有一千七百名员工，集团年营业额约为 100亿人民币。

伯东公司在国内主要城市：上海，北京，苏州，广州，深圳，成都及厦门设有营业据点。

上海伯东真空产品事业部已累计为超过 10,000 家企业提供真空服务

我们致力于追求高品质的服务，为您提供一流的服务及一流产品：

品质保障：国际知名品牌指定授权代理商，所有产品及部件保证 100% 原厂原装进口

现货交期快：部分产品有现货，下单立即发货（现货数量有限，实际情况请联系销售工程师）

卓越维修能力：伯东工程师拥有10年以上维修经验，且受国外专业培训，拥有完全的拆解，维修，校正能力。

完美服务质量：原装进口检测设备全方位寻找问题症结及全方面的性能测试，确保完美的服务质量



伯东企业（上海）有限公司 销售及售后服务中心

上海浦东新区新金桥路1888号36号楼7楼702室

电话：+86-21-5046-3511 / 139-1883-7267

传真：+86-21-5046-1490

官网：<http://www.hakuto-vacuum.cn>

