



**DuoVane 22, 1-phase  
motor, 100–115 V / 200–  
230 V, 50 Hz | 100–115 V  
/ 200–230 V, 60 Hz,  
Bimetal**

---



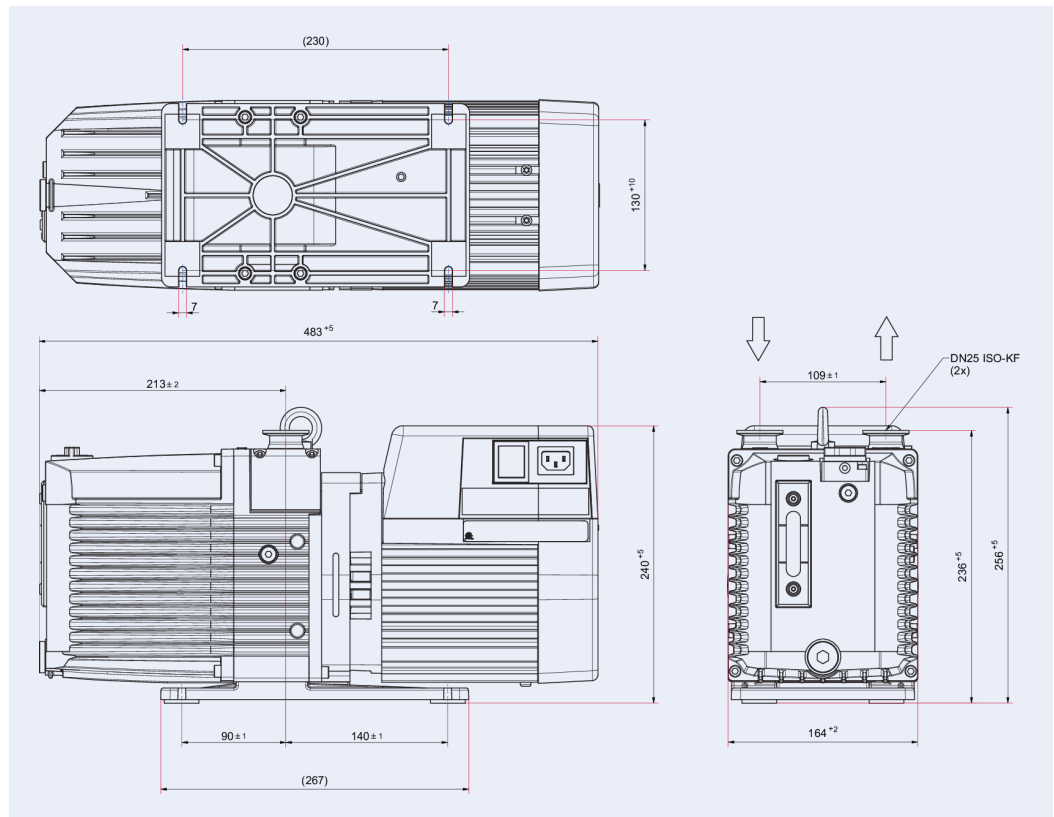


Illustration only

**DuoVane 22, 1-phase motor, 100-115 V / 200-230 V, 50 Hz | 100-115 V / 200-230 V, 60 Hz, Bimetal**

- Dual-stage, high-performance rotary vane pump with a pumping speed up to 22 m<sup>3</sup>/h
- With 1-phase motor
- With temperature sensor (Bimetal) for optimum motor protection
- Integrated gas ballast and HV safety valve
- For all low and medium vacuum applications
- Special feature: Various motor voltages for worldwide employment

## Dimensions



Technical Data	DuoVane 22, 1-phase motor, 100–115 V / 200–230 V, 50 Hz   100–115 V / 200–230 V, 60 Hz, Bimetal
Gas ballast	Yes
Operating fluid	P3
Cooling method	Air (Forced convection)
Motor type	1-phase motor
Vacuum range min	$1 \cdot 10^{-2}$ hPa
Vacuum range max	$3 \cdot 10^{-3}$ hPa
Ambient temperature	12 – 40 °C
Temperature: Storage, max	55 °C
Temperature: Storage, min	-25 °C
Certification	CE
Input voltage(s)	100 – 115 / 200 – 230 V AC, 50 Hz   100 – 115 / 200 – 230 V AC ( $\pm 10\%$ ), 60 Hz
Ultimate pressure with gas ballast	$1 \cdot 10^{-2}$ hPa   $7.5 \cdot 10^{-3}$ Torr   $1 \cdot 10^{-2}$ mbar
Leakage rate safety valve	$1 \cdot 10^{-5}$ Pa m <sup>3</sup> /s   $7.5 \cdot 10^{-5}$ Torr l/s   $1 \cdot 10^{-4}$ mbar l/s
Continuous gas input temperature, max.	40 °C   104 °F   313.2 K
Exhaust pressure, max.	1,500 hPa   1,125 Torr   1,500 mbar
Operating altitude, max.	2,000 m
Continuous inlet pressure, max.	50 hPa   37.5 Torr   50 mbar
Rotation speed at 60 Hz	1,800 rpm   1,800 min <sup>-1</sup>
Rotation speed at 50 Hz	1,500 rpm   1,500 min <sup>-1</sup>
Pumping speed at 60 Hz	22.5 m <sup>3</sup> /h   13.24 cfm   375.01 l/min
Pumping speed at 50 Hz	19.5 m <sup>3</sup> /h   11.4777 cfm   325.0065 l/min
Switch	Yes
Exhaust pressure, max.	1,500 hPa
Motor protection	Thermal winding protection
Mains cable	No, C14-plug inside the terminal box
Rated power 50 Hz	0.55 kW
Rated power 60 Hz	0.65 kW
Final pressure with gas ballast	$1 \cdot 10^{-2}$ hPa
Dimensions (L x W x H)	483 x 166 x 239 mm
Continuous inlet pressure, max.	50 hPa
Number of pumping stages	Two stage
Rotation speed at 60 Hz	1,800 rpm
Rotation speed at 50 Hz	1,500 rpm

Exhaust pressure, min.	Atmospheric pressure
Weight	32 kg
Pumping speed at 60 Hz	22.5 m <sup>3</sup> /h
Pumping speed at 50 Hz	19.5 m <sup>3</sup> /h
Connection flange (in)	DN 25 ISO-KF
Connection flange (out)	DN 25 ISO-KF

<b>Order number</b>	<b>DuoVane 22, 1-phase motor, 100–115 V / 200–230 V, 50 Hz   100–115 V / 200–230 V, 60 Hz, Bimetal</b>
DuoVane 22, 1-phase motor, 100–115 V / 200–230 V, 50 Hz   100–115 V / 200–230 V, 60 Hz, Bimetal	PK D940 020 C0

<b>Accessories</b>	<b>DuoVane 22, 1-phase motor, 100–115 V / 200–230 V, 50 Hz   100–115 V / 200–230 V, 60 Hz, Bimetal</b>
Seal kit for DuoVane 20	PK E30 200 -T
Maintenance kit 1 for DuoVane 5 - 20	PK E31 200 -T
Maintenance kit 2 for DuoVane 20	PK E31 210 -T
Service Kit 3 for DuoVane 22	PK E32 200 -T
Maintenance kit 3 for DuoVane 20	PK E34 200 -T
Diaphragm HV valve for DuoVane 5 - 20	PK E34 210 -T
Rotary shaft seal for DuoVane 5 - 20	PK E36 200 -T
Vane DuoVane 22	PK E38 200 -T
P3 operating fluids for DuoVane 6 – 22	PK E39 200 -T
Gas ballast valve for DuoVane 5 - 20	PK E39 205 -T
Sight glass for DuoVane 5 - 20	PK E39 206 -T



伯东企业（上海）有限公司  
HAKUTO ENTERPRISES (SHANGHAI) LTD.  
TEL: (86) 21-5046 3511

## 上海伯东 -- 您理想的真空合作伙伴！

伯东公司成立于 1953 年，外企上市企业，全球范围内有一千七百名员工，集团年营业额约为 100亿人民币。

伯东公司在国内主要城市：上海，北京，苏州，广州，深圳，成都及厦门设有营业据点。

上海伯东真空产品事业部已累计为超过 10,000 家企业提供真空服务

**我们致力于追求高品质的服务，为您提供一流的服务及一流产品：**

**品质保障：**国际知名品牌指定授权代理商，所有产品及部件保证 100% 原厂原装进口

**现货交期快：**部分产品有现货，下单立即发货（现货数量有限，实际情况请联系销售工程师）

**卓越维修能力：**伯东工程师拥有10年以上维修经验，且受国外专业培训，拥有完全的拆解，维修，校正能力。

**完美服务质量：**原装进口检测设备全方位寻找问题症结及全方面的性能测试，确保完美的服务质量



伯东企业（上海）有限公司 销售及售后服务中心

上海浦东新区新金桥路1888号36号楼7楼702室

电话：+86-21-5046-3511 / 139-1883-7267

传真：+86-21-5046-1490

官网：<http://www.hakuto-vacuum.cn>

