



High Vacuum Valves  
*Leader in Quality and Value*

# Ball Valve Series

## Stainless Steel Ball Valves

HVA ball valves are the best choice for isolating gauges, foreline traps, abatement scrubbers, vacuum coating roughing lines, food processing lines and many more industrial applications.

**Easy In-Situ Maintenance** - Performed without disconnecting the valve from the system

**Blow-Out Proof Stem** - Assures safety under high pressure conditions

**Maximum Conductance** - Offers full bore in the open position

**Increased Service Intervals** - Due to precision ball/seat design

**Harsh and Corrosive Environments** - Designed to withstand your harshest and most corrosive processes

**High Quality 316L Stainless Steel** - All wetted components

**Fluoroelastomers** - Guarantee vacuum tight sealing

**PTFE Wiper** - Removes any particulate from the ball



### Standard Technical Specifications

**Materials**

Body/stem/ball/end caps	316L stainless steel
Seat/gasket/stem packing	PTFE
Other components	304L stainless steel

**Vacuum**

Pressure range	1 x 10 <sup>-8</sup> mbar
Helium leak rate	< 1 x 10 <sup>-8</sup> mbar l/s
Differential pressure	100 PSI

**Temperature**

Standard operating	-20°C to 150°C
Intermittent	Up to 200°C

**Mechanism**

Manual	Easy turn handle
Pneumatic air service	80 to 120 psi
(Fail safe option: air to open / spring to close)	

**Connections**

KF, ISO, weld tube

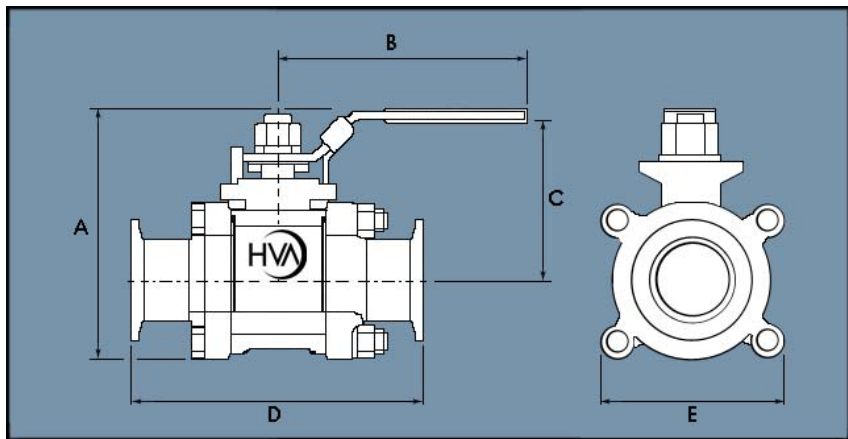


High Vacuum Valves  
Leader in Quality and Value

# Ball Valve Series

## Stainless Steel Ball Valves

### Manual KF/ISO-K Dimensions



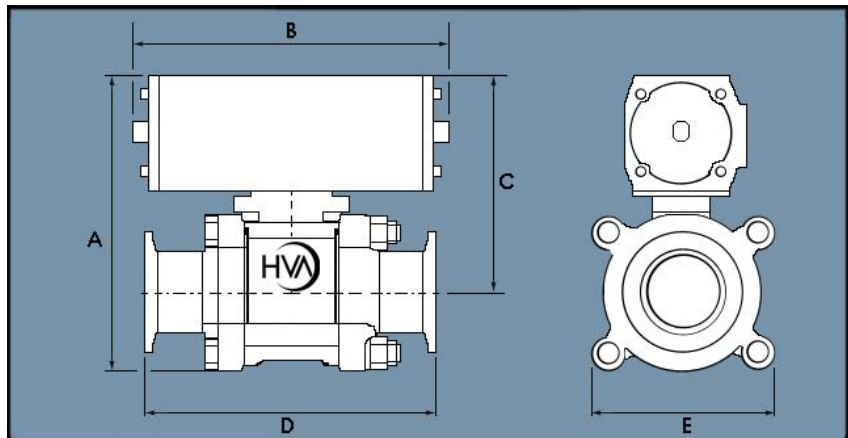
DN	mm	10	16	25	40	50	63	80	100
	inch	0.40	0.625	1.00	1.50	2.00	2.50	3.00	4.00
A	mm	96.00	96.00	115.00	135.00	154.00	190.00	210.00	240.00
	inch	3.77	3.77	4.50	5.30	6.05	7.48	8.27	9.45
B	mm	143.00	143.00	165.00	187.00	187.00	310.00	310.00	400.00
	inch	5.63	5.63	6.50	7.36	7.36	12.20	12.30	15.75
C	mm	72.00	72.00	92.00	109.00	117.00	127.00	135.00	165.00
	inch	2.83	2.83	3.62	4.29	4.61	5.00	5.31	6.50
D	mm	89.00	89.00	119.00	147.00	182.00	197.00	229.00	243.00
	inch	3.50	3.50	4.70	5.80	7.20	7.76	9.01	9.57
E	mm	46.00	46.00	56.00	76.00	89.00	127.00	163.00	206.00
	inch	1.80	1.80	2.22	3.00	3.50	5.00	6.40	8.10



### Ordering Guide - Manual

mm	DN	inch	Model Number KF/ISO-K	Model Number Weld Tube
10		.40	BLM-0043	BLM-004X
16		.625	BLM-0063	BLM-006X
25		1.0	BLM-0103	BLM-010X
40		1.5	BLM-0153	BLM-015X
50		2.0	BLM-0203	BLM-020X
63		2.5	BLM-0256	BLM-025X
80		3.0	BLM-0306	BLM-030X
100		4.0	BLM-0406	BLM-040X

### Pneumatic KF/ISO-K Dimensions



DN	mm	10	16	25	40	50	63	80	100
	inch	0.40	0.625	1.00	1.50	2.00	2.50	3.00	4.00
A	mm	112.00	112.00	147.00	187.00	203.00	241.00	394.00	434.00
	inch	4.43	4.43	5.80	7.40	8.00	9.50	15.50	17.10
B	mm	135.00	135.00	155.00	182.00	182.00	305.00	305.00	305.00
	inch	5.33	5.33	6.10	7.20	7.20	12.00	12.00	12.00
C	mm	89.00	89.00	119.00	150.00	156.00	228.00	312.00	330.00
	inch	3.51	3.51	4.70	5.90	6.15	9.00	12.30	13.00
D	mm	89.00	89.00	119.00	147.00	182.00	197.00	229.00	243.00
	inch	3.50	3.50	4.70	5.80	7.20	7.76	9.01	9.57
E	mm	46.00	46.00	56.00	76.00	89.00	127.00	163.00	206.00
	inch	1.80	1.80	2.22	3.00	3.50	5.00	6.40	8.10



### Ordering Guide - Pneumatic

mm	DN	inch	Model Number KF/ISO-K*	Model Number Weld Tube*
10		.40	BLP-0043	BLP-004X
16		.625	BLP-0063	BLP-006X
25		1.0	BLP-0103	BLP-010X
40		1.5	BLP-0153	BLP-015X
50		2.0	BLP-0203	BLP-020X
63		2.5	BLP-0256	BLP-025X
80		3.0	BLP-0306	BLP-030X
100		4.0	BLP-0406	BLP-040X

\*BLS for fail safe option (spring-to-close)



伯东企业（上海）有限公司  
HAKUTO ENTERPRISES (SHANGHAI) LTD.  
TEL: (86) 21-5046 3511

## 上海伯东 -- 您理想的真空合作伙伴！

伯东公司成立于 1953 年，外企上市企业，全球范围内有一千七百名员工，集团年营业额约为 100亿人民币。

伯东公司在国内主要城市：上海，北京，苏州，广州，深圳，成都及厦门设有营业据点。

上海伯东真空产品事业部已累计为超过 10,000 家企业提供真空服务

**我们致力于追求高品质的服务，为您提供一流的服务及一流产品：**

**品质保障：**国际知名品牌指定授权代理商，所有产品及部件保证 100% 原厂原装进口

**现货交期快：**部分产品有现货，下单立即发货（现货数量有限，实际情况请联系销售工程师）

**卓越维修能力：**伯东工程师拥有10年以上维修经验，且受国外专业培训，拥有完全的拆解，维修，校正能力。

**完美服务质量：**原装进口检测设备全方位寻找问题症结及全方面的性能测试，确保完美的服务质量



伯东企业（上海）有限公司 销售及售后服务中心

上海浦东新区新金桥路1888号36号楼7楼702室

电话：+86-21-5046-3511 / 139-1883-7267

传真：+86-21-5046-1490

官网：<http://www.hakuto-vacuum.cn>

