

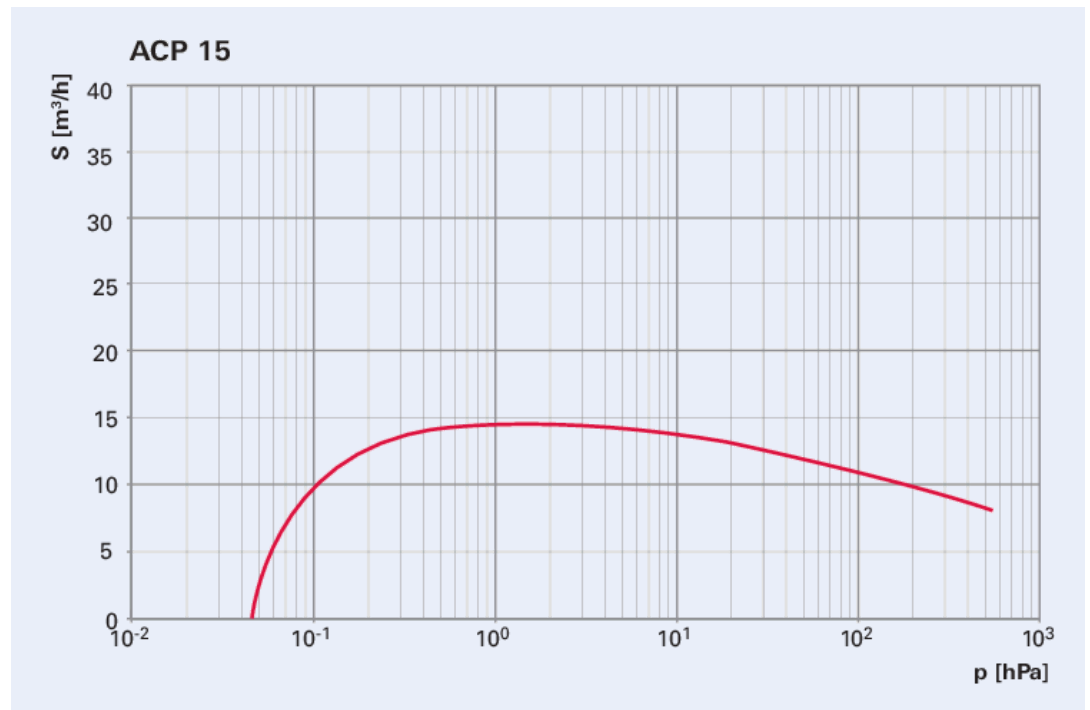




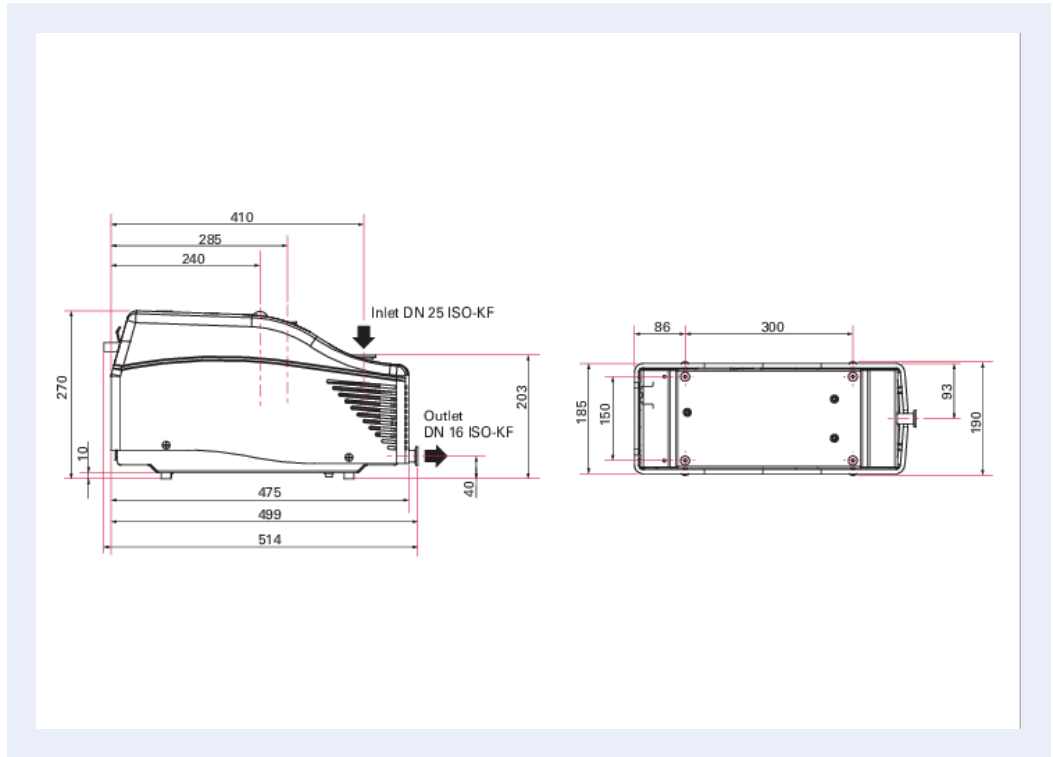
Illustration only

**ACP 15, standard, single phase, manual gas ballast, EU mains cable**

### Characteristics



## Dimensions



<b>Technical Data</b>	<b>ACP 15, standard, single phase, manual gas ballast, EU mains cable</b>
Type of electronic drive unit installation	Integrated electronic drive unit
Gas ballast	Yes
Cooling method	Air (Forced convection)
Pumping speed	14 m <sup>3</sup> /h
Motor type	1-phase motor
Pumping speed category	15 m <sup>3</sup> /h
Motor for region	Worldwide
Typical ultimate pressure with gas ballast	$3 \cdot 10^{-1}$ hPa
Typical ultimate pressure without gas ballast or purge	$5 \cdot 10^{-2}$ hPa
Processes	Light duty applications
Version	Standard
Ambient temperature	12 – 40 °C
Ultimate pressure without gas ballast or purge, max.	$5 \cdot 10^{-2}$ hPa
Input voltage(s)	110 – 230 V AC ( $\pm 10\%$ ), 50/60 Hz
Emission sound pressure level (EN ISO 2151)	63 dB(A)
Helium leakage rate, max.	$5 \cdot 10^{-7}$ hPa·l/s
Power consumption at ultimate pressure	450 W
Typical ultimate pressure with gas ballast	$3 \cdot 10^{-1}$ hPa   $2.25 \cdot 10^{-1}$ Torr   $3 \cdot 10^{-1}$ mbar
Ultimate pressure with gas ballast	$3 \cdot 10^{-1}$ hPa   $2.25 \cdot 10^{-1}$ Torr   $3 \cdot 10^{-1}$ mbar
Exhaust pressure, max.	1,200 hPa   900 Torr   1,200 mbar
Gas ballast flow	0.5 m <sup>3</sup> /h   0.294 cfm   8.334 l/min
Typical ultimate pressure without gas ballast or purge	$5 \cdot 10^{-2}$ hPa   $3.75 \cdot 10^{-2}$ Torr   $5 \cdot 10^{-2}$ mbar
Continuous inlet pressure, max.	1,013 hPa   759.75 Torr   1,013 mbar
Weight	23 kg   50.71 lb
Ultimate pressure without gas ballast or purge, max.	$5 \cdot 10^{-2}$ hPa   $3.75 \cdot 10^{-2}$ Torr   $5 \cdot 10^{-2}$ mbar
Exhaust pressure, max.	1,200 hPa
Gas ballast flow	0.5 m <sup>3</sup> /h
Mains cable	Yes, EU mains cable
Final pressure with gas ballast	$3 \cdot 10^{-1}$ hPa
Max. pumping capacity of pure water vapor at 20°C	80 g/h
Dimensions (L x W x H)	514 x 190 x 270 mm
Continuous inlet pressure, max.	1,013 hPa
Connection flange	DN 25 ISO-KF / DN 16 ISO-KF

Weight	23 kg
Connection flange (in)	DN 25 ISO-KF
Connection flange (out)	DN 16 ISO-KF

<b>Order number</b>	<b>ACP 15, standard, single phase, manual gas ballast, EU mains cable</b>
ACP 15, standard, single phase, manual gas ballast, EU mains cable	V5SATSMGEF



伯东企业（上海）有限公司  
HAKUTO ENTERPRISES (SHANGHAI) LTD.  
TEL: (86) 21-5046 3511

## 上海伯东 -- 您理想的真空合作伙伴！

伯东公司成立于 1953 年，外企上市企业，全球范围内有一千七百名员工，集团年营业额约为 100亿人民币。

伯东公司在国内主要城市：上海，北京，苏州，广州，深圳，成都及厦门设有营业据点。

上海伯东真空产品事业部已累计为超过 10,000 家企业提供真空服务

**我们致力于追求高品质的服务，为您提供一流的服务及一流产品：**

**品质保障：**国际知名品牌指定授权代理商，所有产品及部件保证 100% 原厂原装进口

**现货交期快：**部分产品有现货，下单立即发货（现货数量有限，实际情况请联系销售工程师）

**卓越维修能力：**伯东工程师拥有10年以上维修经验，且受国外专业培训，拥有完全的拆解，维修，校正能力。

**完美服务质量：**原装进口检测设备全方位寻找问题症结及全方面的性能测试，确保完美的服务质量



伯东企业（上海）有限公司 销售及售后服务中心

上海浦东新区新金桥路1888号36号楼7楼702室

电话：+86-21-5046-3511 / 139-1883-7267

传真：+86-21-5046-1490

官网：<http://www.hakuto-vacuum.cn>

