



**MVP 020-3 AC,
diaphragm pump, 100-
230 V, 50/60 Hz**

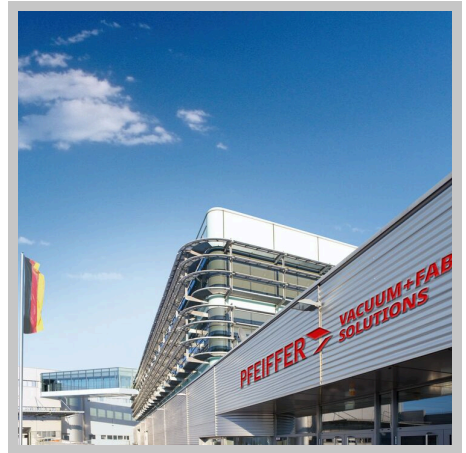


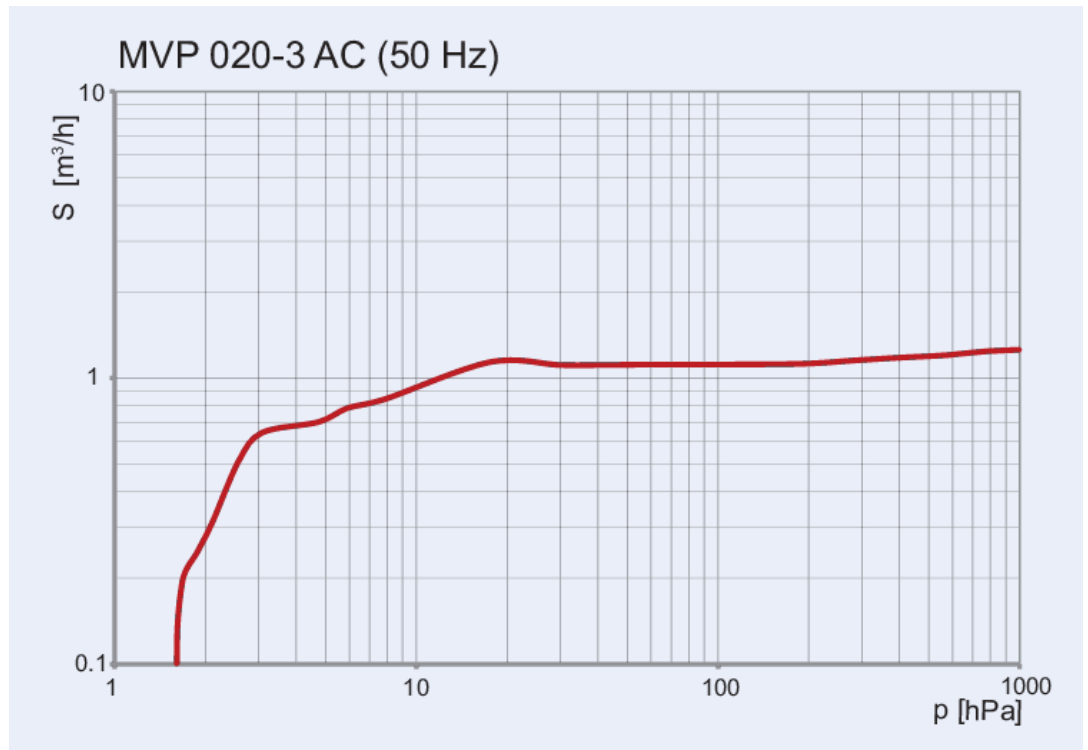


Illustration only

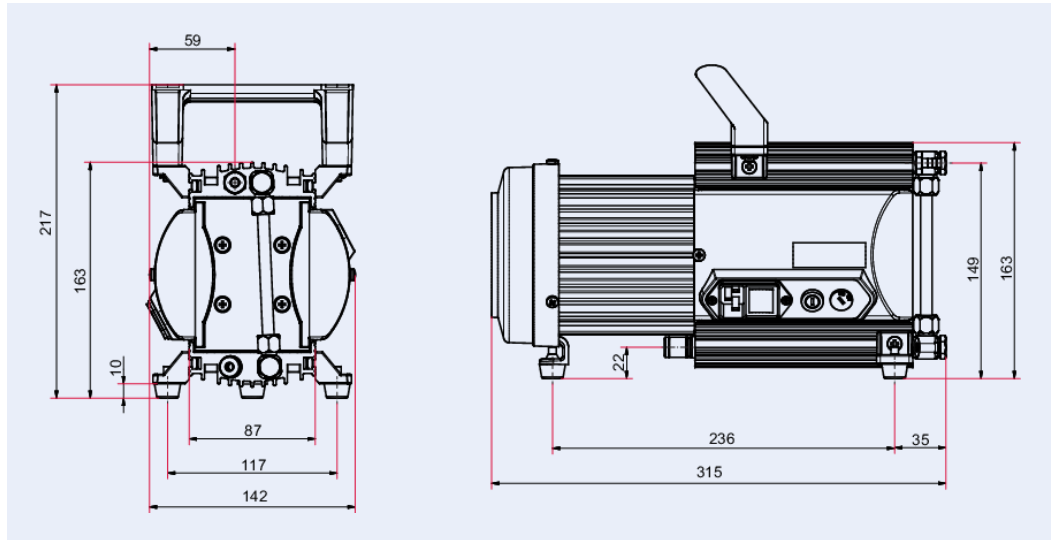
MVP 020-3 AC, diaphragm pump, 100-230 V, 50/60 Hz

- Diaphragm pump with a pumping speed of up to 1.4 m³/h
- No hydrocarbons: Completely dry & oil-free diaphragm pump
- Low noise level, minimal vibrations and compact design, ideal also for use in laboratories
- Low operating costs thanks to the highest quality, short maintenance times and long maintenance intervals
- Simple logistics: Our diaphragm pumps are suitable for all voltages worldwide
- Fulfills cleanroom class ISO 8 (according to DIN EN ISO 14644-1)

Characteristics



Dimensions



Technical Data	MVP 020-3 AC, diaphragm pump, 100-230 V, 50/60 Hz
Pumping speed at 50 Hz	1.2 m ³ /h 0.70632 cfm 20.0004 l/min
Pumping speed at 60 Hz	1.4 m ³ /h 0.82 cfm 23.33 l/min
Ultimate pressure	2 · 10 ⁰ hPa 1.5 · 10 ⁰ Torr 2 · 10 ⁰ mbar
Ultimate pressure with gas ballast	3 · 10 ⁰ hPa 2.25 · 10 ⁰ Torr 3 · 10 ⁰ mbar
Integral leak rate	1 · 10 ⁻² Pa m ³ /s 7.5 · 10 ⁻² Torr l/s 1 · 10 ⁻¹ mbar l/s
Intake pressure max.	1,100 hPa 825 Torr 1,100 mbar
Exhaust pressure, max.	1,100 hPa 825 Torr 1,100 mbar
Connection flange (in)	G 1/8"
Connection flange (out)	G 1/8"
Input voltage(s)	100 – 115 / 200 – 230 V AC, 50 Hz 100 – 115 / 120 / 200 – 230 V AC (±10 %), 60 Hz
Input voltage: tolerance	±10 %
Motor type	1-phase motor
Current, max.	1.9 A
Protection degree	IP40 Type 1
Switch	Yes
Emission sound pressure level (EN ISO 2151)	48 dB(A)
Ambient temperature	10 – 40 °C
Temperature: Storage	-10 – 60 °C
Temperature: Shipping	-10 – 60 °C
Cooling method	Air (Forced convection)
Gas ballast	Available as an accessory
Operating altitude, max.	2,000 m

Order number	MVP 020-3 AC, diaphragm pump, 100-230 V, 50/60 Hz
MVP 020-3 AC, diaphragm pump, 100-230 V, 50/60 Hz	PK 052 002 -T

Accessories	MVP 020-3 AC, diaphragm pump, 100-230 V, 50/60 Hz
Banjo fitting for MVP 020 1/8" thread for hose ø8/6mm (internal connection)	P 0995 943
U sealing ring U 10.4/16 x 2	P 3529 133 -P
Fan cover for MVP 020 AC	PK 050 189
Housing cover for MVP 020/030 (parallel connection)	PK 050 190
Housing cover for MVP 020/030 (series connection)	PK 050 191
Head cover MVP 020-3 / MVP 030-3	PK 050 223
Spare part package fan for MVP 020-3 AC	PU E22 020 -T
Inspection set for MVP 020 030	PU E22 034 -T



伯东企业（上海）有限公司
HAKUTO ENTERPRISES (SHANGHAI) LTD.
TEL: (86) 21-5046 3511

上海伯东 -- 您理想的真空合作伙伴！

伯东公司成立于 1953 年，外企上市企业，全球范围内有一千七百名员工，集团年营业额约为 100亿人民币。

伯东公司在国内主要城市：上海，北京，苏州，广州，深圳，成都及厦门设有营业据点。

上海伯东真空产品事业部已累计为超过 10,000 家企业提供真空服务

我们致力于追求高品质的服务，为您提供一流的服务及一流产品：

品质保障：国际知名品牌指定授权代理商，所有产品及部件保证 100% 原厂原装进口

现货交期快：部分产品有现货，下单立即发货（现货数量有限，实际情况请联系销售工程师）

卓越维修能力：伯东工程师拥有10年以上维修经验，且受国外专业培训，拥有完全的拆解，维修，校正能力。

完美服务质量：原装进口检测设备全方位寻找问题症结及全方面的性能测试，确保完美的服务质量



伯东企业（上海）有限公司 销售及售后服务中心

上海浦东新区新金桥路1888号36号楼7楼702室

电话：+86-21-5046-3511 / 139-1883-7267

传真：+86-21-5046-1490

官网：<http://www.hakuto-vacuum.cn>

