



HiPace® 80 Neo with TC 80, DN 63 ISO-K



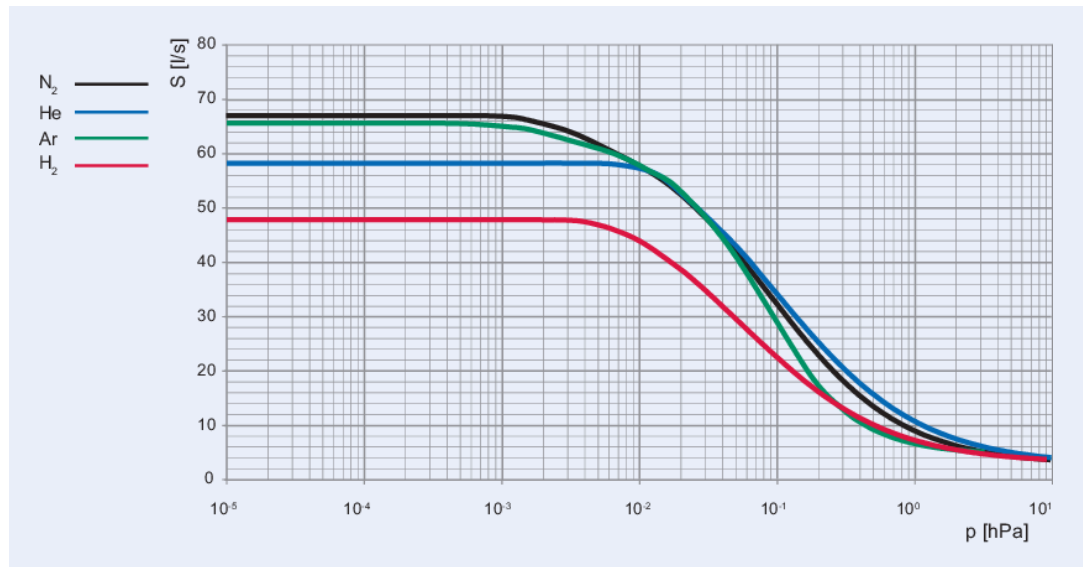


Illustration only

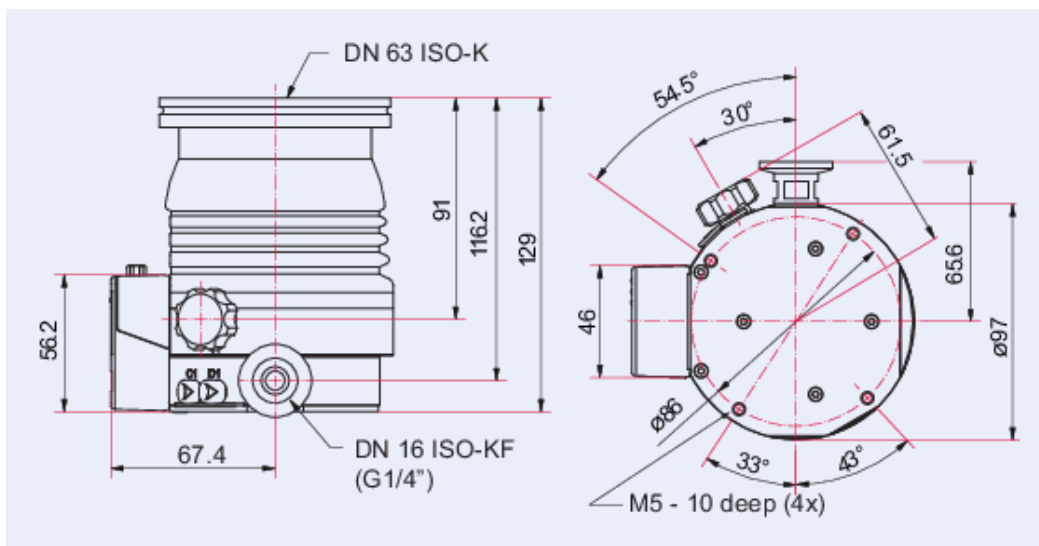
HiPace® 80 Neo with TC 80, DN 63 ISO-K

- Small yet powerful turbopump with a pumping speed of up to 67 l/s for N₂
- TC 80 integrated electronic drive unit
- For installation in any orientation
- Ideal for dependable systems integration
- Extensive accessories expand the range of applications

Characteristics



Dimensions



Technical Data	HiPace® 80 Neo with TC 80, DN 63 ISO-K
Connection flange (out)	DN 16 ISO-KF
Connection flange (in)	DN 63 ISO-K
Electronic drive unit	TC 80
Type of electronic drive unit installation	Integrated electronic drive unit
Rotation speed $\pm 2\%$	90,000 rpm
Rotation speed variable	50 - 100 %
I/O interfaces	RS-485, Remote
Mounting orientation	Arbitrary
Input voltage(s)	24 V DC ($\pm 10\%$)
Gas throughput at full rotational speed for Ar	0.54 hPa·l/s
Gas throughput at full rotational speed for H ₂	15.3 hPa·l/s
Gas throughput at full rotational speed for He	2.7 hPa·l/s
Gas throughput at full rotational speed for N ₂	1.3 hPa·l/s
Weight	1.7 kg
Run-up time	75 s
Integral leakage rate	$1 \cdot 10^{-8}$ Pa m ³ /s
Compression ratio for Ar	$1 \cdot 10^{11}$
Compression ratio for H ₂	$1.4 \cdot 10^5$
Compression ratio for He	$1.3 \cdot 10^7$
Compression ratio for N ₂	$1 \cdot 10^{11}$
Cooling method	Natural convection
Bearing	Hybrid
Power consumption max.	110 W
Position of power supply pack	External power supply pack
Pumping speed for Ar	66 l/s
Pumping speed for H ₂	48 l/s
Pumping speed for He	58 l/s
Pumping speed for N ₂	67 l/s
Sound pressure level	48 dB(A)
Protection degree	IP54 Type 12
Current max.	5.6 A
Fore-vacuum max. for N ₂	22 hPa
Permissible radial magnetic field max.	3.7 mT
Emission sound pressure level (EN ISO 2151) level 1	48 dB(A)

Order number	HiPace® 80 Neo with TC 80, DN 63 ISO-K
HiPace® 80 Neo with TC 80, DN 63 ISO-K	PM P080 301 10



伯东企业（上海）有限公司
HAKUTO ENTERPRISES (SHANGHAI) LTD.
TEL: (86) 21-5046 3511

上海伯东 -- 您理想的真空合作伙伴！

伯东公司成立于 1953 年，外企上市企业，全球范围内有一千七百名员工，集团年营业额约为 100亿人民币。

伯东公司在国内主要城市：上海，北京，苏州，广州，深圳，成都及厦门设有营业据点。

上海伯东真空产品事业部已累计为超过 10,000 家企业提供真空服务

我们致力于追求高品质的服务，为您提供一流的服务及一流产品：

品质保障：国际知名品牌指定授权代理商，所有产品及部件保证 100% 原厂原装进口

现货交期快：部分产品有现货，下单立即发货（现货数量有限，实际情况请联系销售工程师）

卓越维修能力：伯东工程师拥有10年以上维修经验，且受国外专业培训，拥有完全的拆解，维修，校正能力。

完美服务质量：原装进口检测设备全方位寻找问题症结及全方面的性能测试，确保完美的服务质量



伯东企业（上海）有限公司 销售及售后服务中心

上海浦东新区新金桥路1888号36号楼7楼702室

电话：+86-21-5046-3511 / 139-1883-7267

传真：+86-21-5046-1490

官网：<http://www.hakuto-vacuum.cn>

