



MVP 015-4 DC Neo, diaphragm pump, 24 V DC, G 1/8"

 伯東
Hakuto

PFEIFFER 

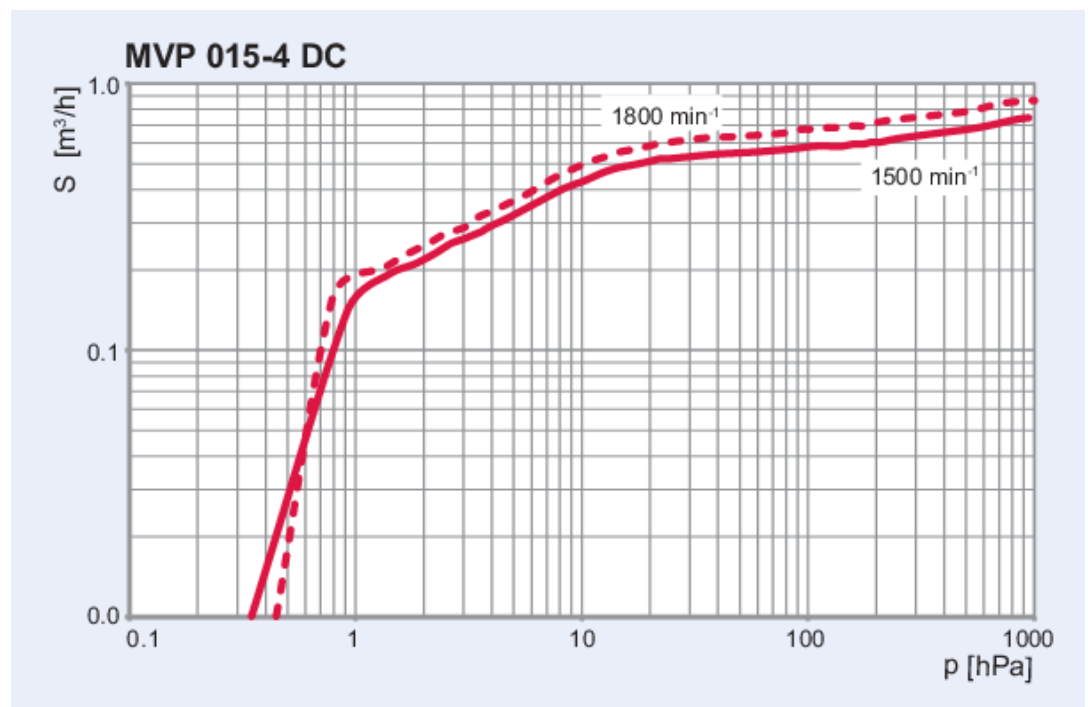


Illustration only

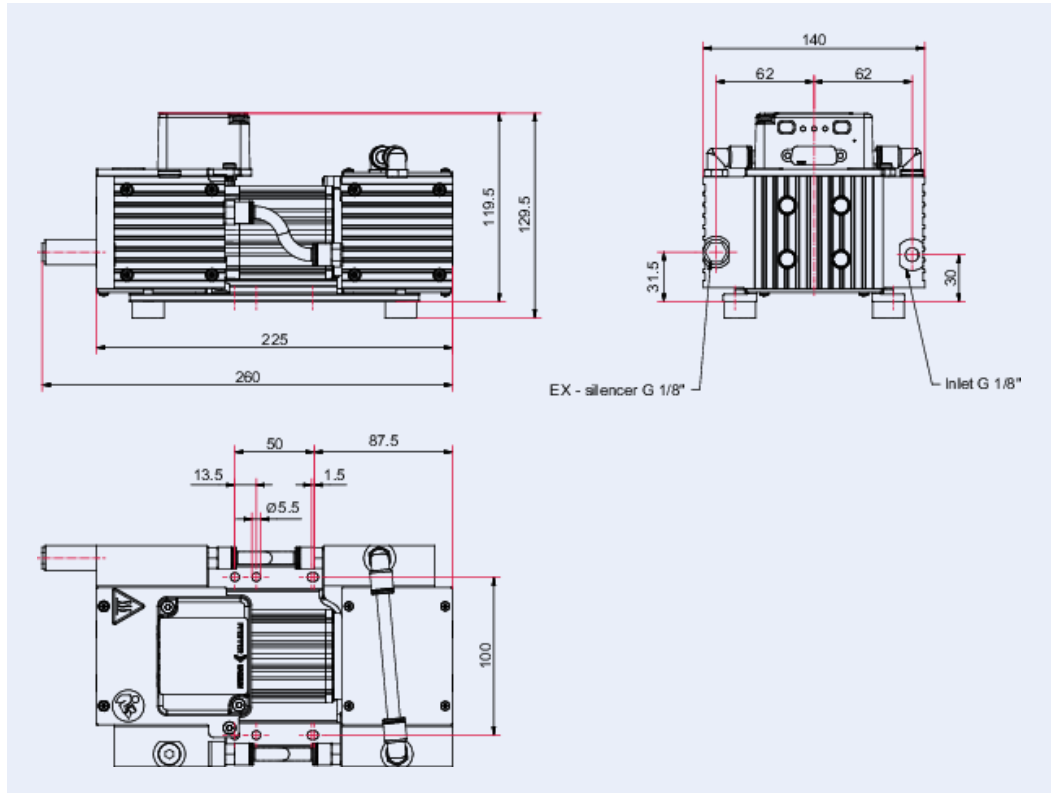
MVP 015-4 DC Neo, diaphragm pump, 24 V DC, G 1/8"

- Diaphragm pump with a pumping speed of up to 0.8 m³/h
- No hydrocarbons: Completely dry & oil-free diaphragm pump
- Low noise level, minimal vibrations and compact design, ideal also for use in laboratories
- Low operating costs thanks to the highest quality, short maintenance times and long maintenance intervals
- Industry 4.0 compatible: Operation with other intelligent products, such as turbopumps via RS-485

Characteristics



Dimensions



Technical Data	MVP 015-4 DC Neo, diaphragm pump, 24 V DC, G 1/8"
Gas ballast	Available as an accessory
Cooling method	Natural convection
Pumping speed	0.8 m ³ /h
Motor type	DC motor
Pumping speed category	1 m ³ /h
Short circuit current of voltage source, max.	45 A
Rated current consumption	3.3 A
Vacuum range min	5 · 10 ⁻¹ hPa
Vacuum range max	5 · 10 ⁻¹ hPa
I/O interfaces	RS-485
Ambient temperature	5 – 40 °C
Current max.	6.8 A
Temperature: Storage, max	40 °C
Temperature: Storage, min	5 °C
Certification	cTUVus certified according to UL / CSA 61010-1
Input voltage(s)	24 V DC (±10 %)
Emission sound pressure level (EN ISO 2151)	49 dB(A)
Nominal rotation speed	1,500 rpm 1,500 min ⁻¹
Exhaust pressure, max.	1,100 hPa 825 Torr 1,100 mbar
Operating altitude, max.	2,000 m
Intake pressure max.	1,100 hPa 825 Torr 1,100 mbar
Nominal rotation speed	1,500 rpm
Switch	No
Exhaust pressure, max.	1,100 hPa
Rotation speed	750 – 1800 rpm
Mains cable	No
Dimensions (L x W x H)	260 x 140 x 129.5 mm
Number of pumping stages	Four stage
Intake pressure max.	1,100 hPa
Weight	4.4 kg
Connection flange (in)	G 1/8"
Connection flange (out)	1/8" thread with silencer

Order number	MVP 015-4 DC Neo, diaphragm pump, 24 V DC, G 1/8"
MVP 015-4 DC Neo, diaphragm pump, 24 V DC, G 1/8"	PK T05 163

Accessories	MVP 015-4 DC Neo, diaphragm pump, 24 V DC, G 1/8"
Overhaul kit for MVP 015-4 DC structure diaphragm Typ 2	PU E22 031 -T
Interhead connection for MVP 015 1/8" thread	PK 050 327
Interhead connection for MVP 015-4 DC 1/8" thread	PK 050 336
Spare part package head cover for MVP 015-4 DC Neo	PU E22 040 -T
Spare parts package intermediate plate for MVP 015-4 DC Neo	PU E22 033 -T
Silencer for MVP Neo R 1/8"	PK 050 368
Spare parts package rubber feet for MVP 015-4 DC Neo	PU E22 041 -T



伯东企业（上海）有限公司
HAKUTO ENTERPRISES (SHANGHAI) LTD.
TEL: (86) 21-5046 3511

上海伯东 -- 您理想的真空合作伙伴！

伯东公司成立于 1953 年，外企上市企业，全球范围内有一千七百名员工，集团年营业额约为 100亿人民币。

伯东公司在国内主要城市：上海，北京，苏州，广州，深圳，成都及厦门设有营业据点。

上海伯东真空产品事业部已累计为超过 10,000 家企业提供真空服务

我们致力于追求高品质的服务，为您提供一流的服务及一流产品：

品质保障：国际知名品牌指定授权代理商，所有产品及部件保证 100% 原厂原装进口

现货交期快：部分产品有现货，下单立即发货（现货数量有限，实际情况请联系销售工程师）

卓越维修能力：伯东工程师拥有10年以上维修经验，且受国外专业培训，拥有完全的拆解，维修，校正能力。

完美服务质量：原装进口检测设备全方位寻找问题症结及全方面的性能测试，确保完美的服务质量



伯东企业（上海）有限公司 销售及售后服务中心

上海浦东新区新金桥路1888号36号楼7楼702室

电话：+86-21-5046-3511 / 139-1883-7267

传真：+86-21-5046-1490

官网：<http://www.hakuto-vacuum.cn>

